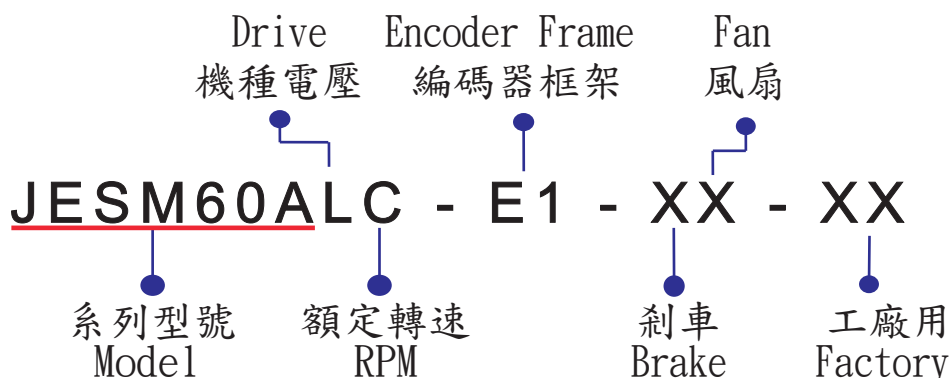


### 馬達命名規格 Named Spec



系列型號 Model	JESM60A			
------------	---------	--	--	--

機種電壓 Drive	L	220V	H	380V
------------	---	------	---	------

額定轉速 RPM	A	1000	M	1500
	B	2000	N	2500
	C	3000		

編碼器框架 Encoder Frame	型號 Model	解析度 Resolution	極數 Pole	出線型態 Type
E1	TS5214	2500	8	省配型 3W6P
E2	TS5214	2500	8	標準型 6W6P
E3	TS5214	8192	8	省配型 3W6P
E4	TS5214	8192	8	標準型 6W6P

備註 Remark : 1. 3W6P : 3Wire, 6Phase  
2. 6W6P : 6Wire, 6Phase

剎車 Brake	X	無剎車 <input type="checkbox"/> Brake	B	有剎車 <input checked="" type="checkbox"/> Brake
----------	---	---------------------------------------	---	--

風扇 Fan	X	無風扇 <input type="checkbox"/> Fan	F	有風扇 <input checked="" type="checkbox"/> Fan
--------	---	-------------------------------------	---	--



規格  
Specification

FRAME NO :	JESM 60A	JESM 80A	JESM 80B	JESM 85A	JESM 85B	JESM 85C	JESM 85D	JESM 125A	JESM 125B	JESM 125C	JESM 125D	JESM 125E	JESM 125F	JESM 145A	JESM 145B
RATED POWER (KW)	0.4	0.75	1.0	0.4	0.6	0.75	1.0	0.75	1.0	1.5	2.2	3	4	3	4
RATED TORQUE (NM)	1.274	2.4	3.2	1.9	2.84	3.53	4.8	3.6	4.8	7.2	10.5	14.3	19	14.3	19
PEAK TORQUE (NM)	3.822	4.8	6.4	5.7	8.52	10.6	14.4	10.8	14.4	21.6	31.5	42.9	57	42.9	57
RATED SPEED (RPM)	3000			2000											
MAX SPEED (RPM)	4000														
RATED CURRENT (A)	2	4.5	6	2.5	3.2	4	5.2	3.2	5	7.2	10.6	14.5	19.5	15	19.5
REAK CURRENT (A)	6	9	12	7.5	9	12	15.6	9.6	15	21.6	31.5	43.5	58.5	45	58.5
Kt (NM/A)	0.62	0.51	0.53	0.76	0.89	0.88	0.92	1.13	0.96	1	0.99	0.986	0.974	0.953	0.97
Ke Vrms / 1000RPM	38.2	36	30	45	44	48		60							
WINDING RESISTANT (Ω)	5.28	4.1	2.35	5.4	3.58	2.5	1.8	6.6	3.5	2	1.2	0.9	0.73	0.5	0.3
WINDING INDUCTANCE (mH)	11.8	9.3	5.6	10	7.6	5.8	4.3	18.5	11.2	6.8	4.8	4.3	2.6	2.9	2.1
ROTOR INERTIA J (Kg-cm <sup>2</sup> )	0.414	2.44	2.52	2.44	3.34	4.2	5.1	6.66	10.1	14.4	20.35	27.25	35.9	51.06	66.48
POLE & INSULATION	8 POLE & F														

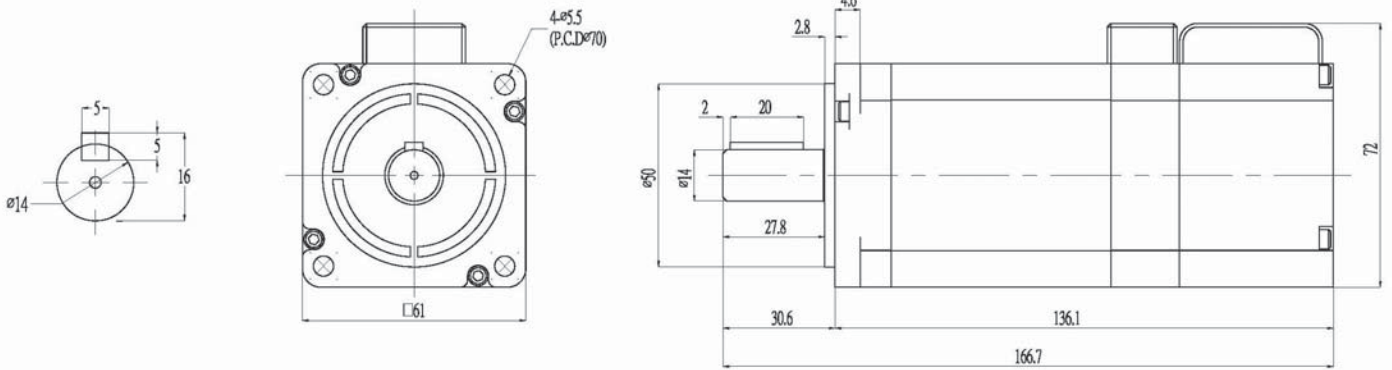


規格  
Specification

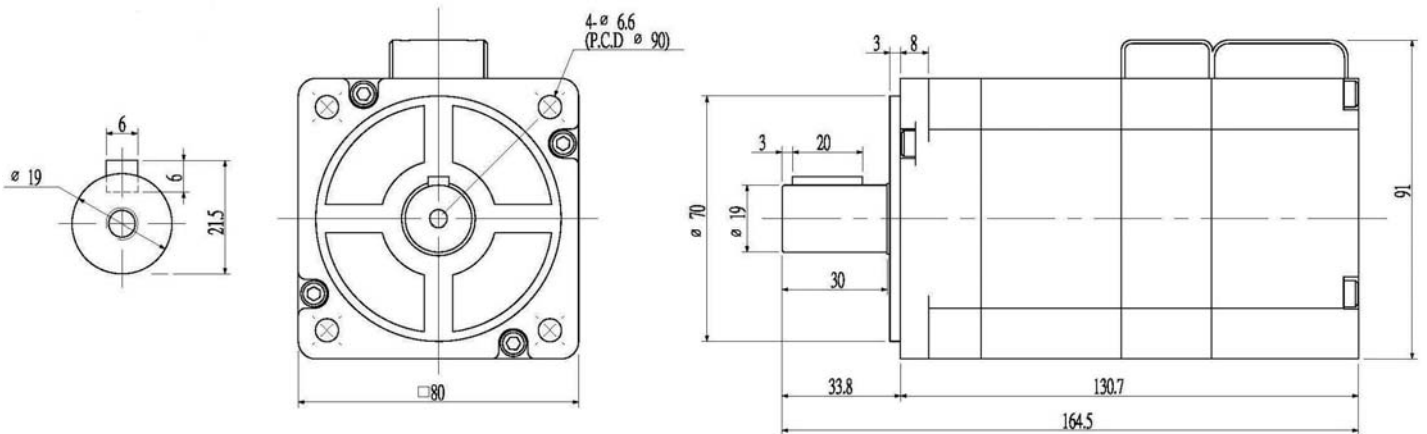
FRAME NO :	JESM 145C	JESM 145D	JESM 190A	JESM 190B	JESM 190C	JESM 190D	JESM 190E	
RATED POWER (KW)	5.6	7.5	4.5	6	7.5	11	15	
RATED TORQUE (NM)	26.7	35.8	29	39	48	71.5	95	
PEAK TORQUE (NM)	80.1	103.2	87	117	144	214.5	285	
RATED SPEED (RPM)	2000		1500					
MAX SPEED (RPM)	4000							
RATED CURRENT (A)	25.6	34.4	29.5	35	48	66	80	
REAK CURRENT (A)	80.1	107.4	88.2	105	144	198	240	
Kt (NM/A)	1.04	1.04	0.98	1.11	1.0	1.08	1.19	
Ke Vrms / 1000RPM	60	60	62	61	60	60	57	
WINDING RESISTANT (Ω)	0.26	0.2	0.2	0.13	0.5	0.09	0.1	
WINDING INDUCTANCE (mH)	1.4	1.1	0.96	0.66	0.1	0.46	0.58	
ROTOR INERTIA J (Kg-cm <sup>2</sup> )	91.15	120.45	87	102.7	139.8	177.4	214.5	
POLE & INSULATION	8 POLE & F							

產品尺寸  
Dimension

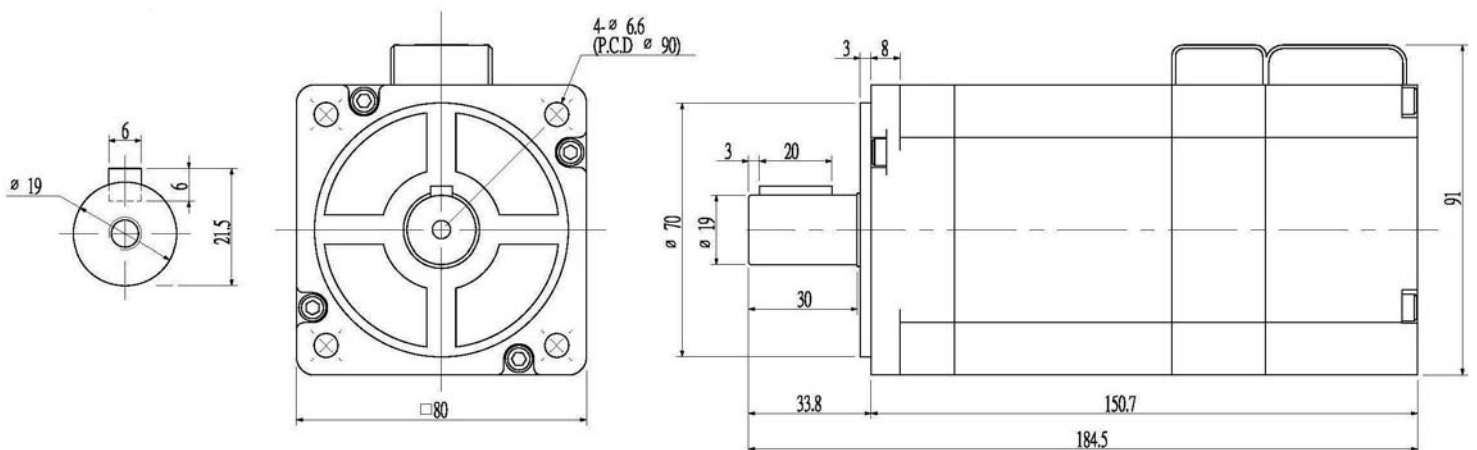
### JESM60A



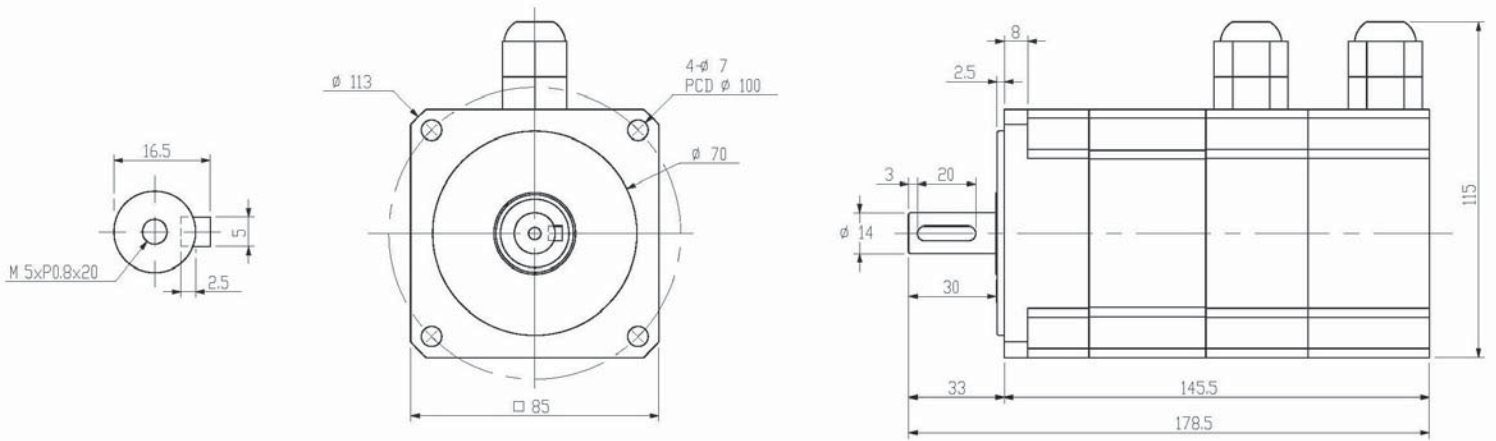
### JESM80A



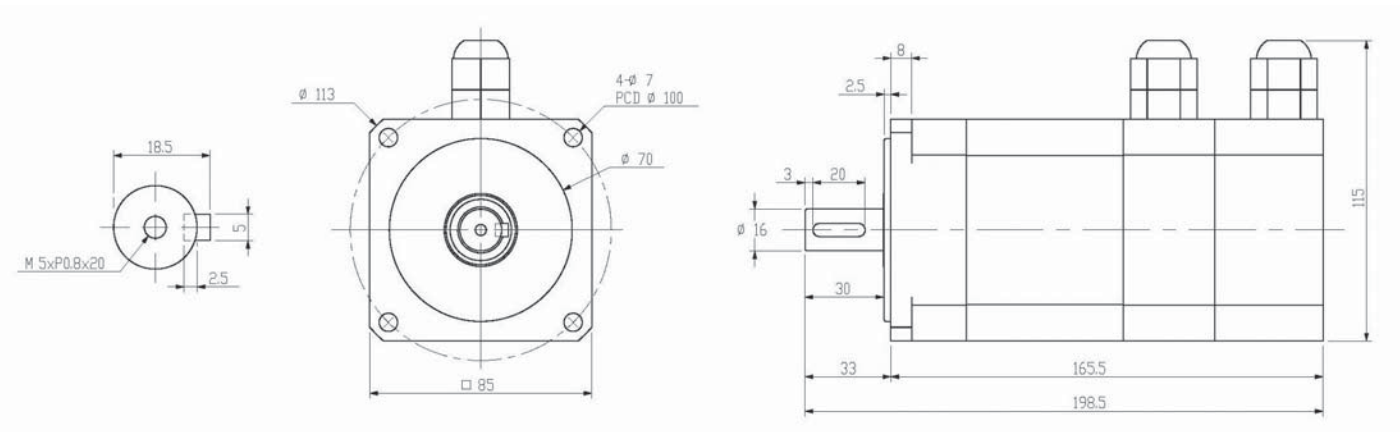
### JESM80B



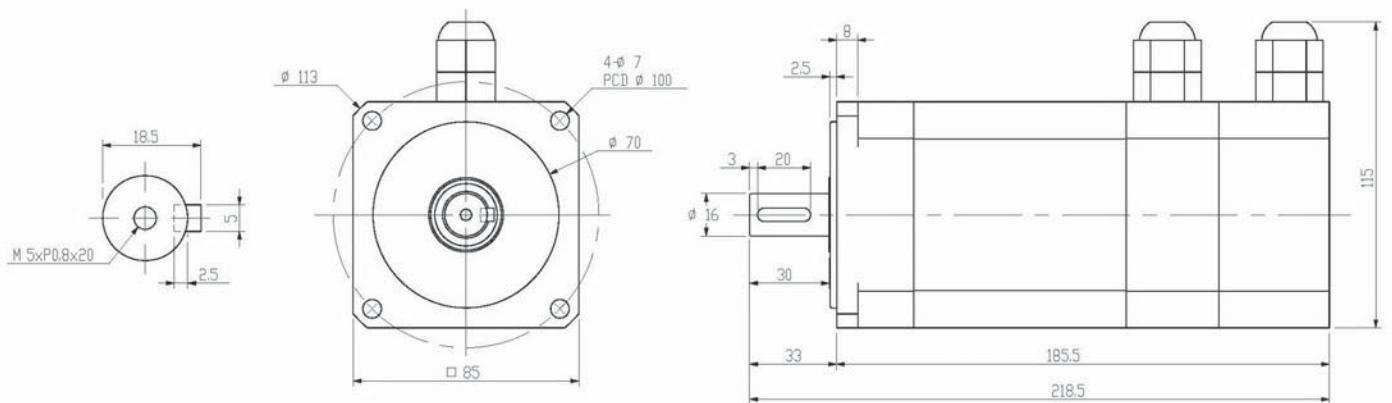
### JESM85A



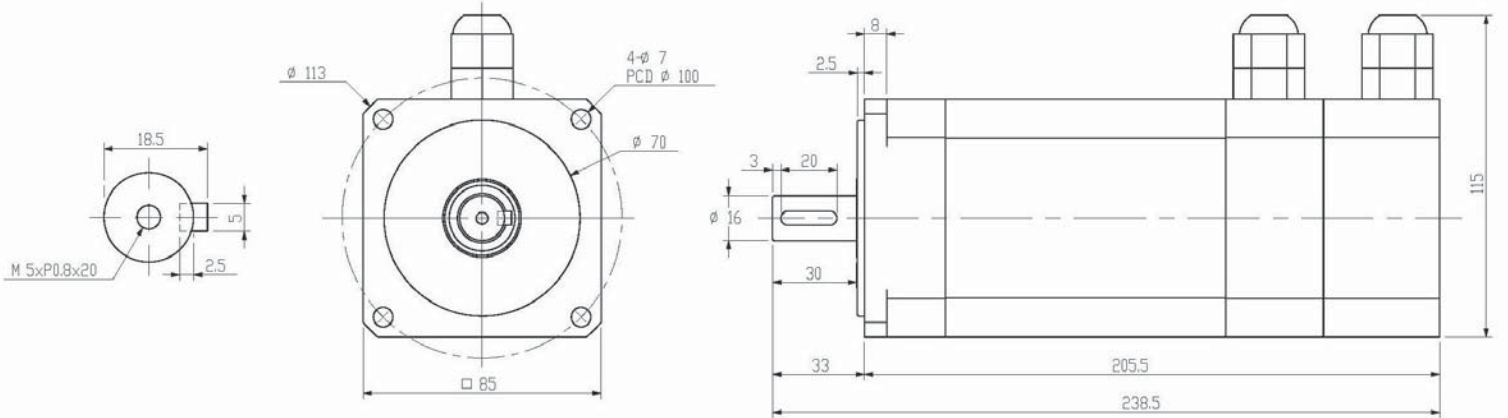
### JESM85B



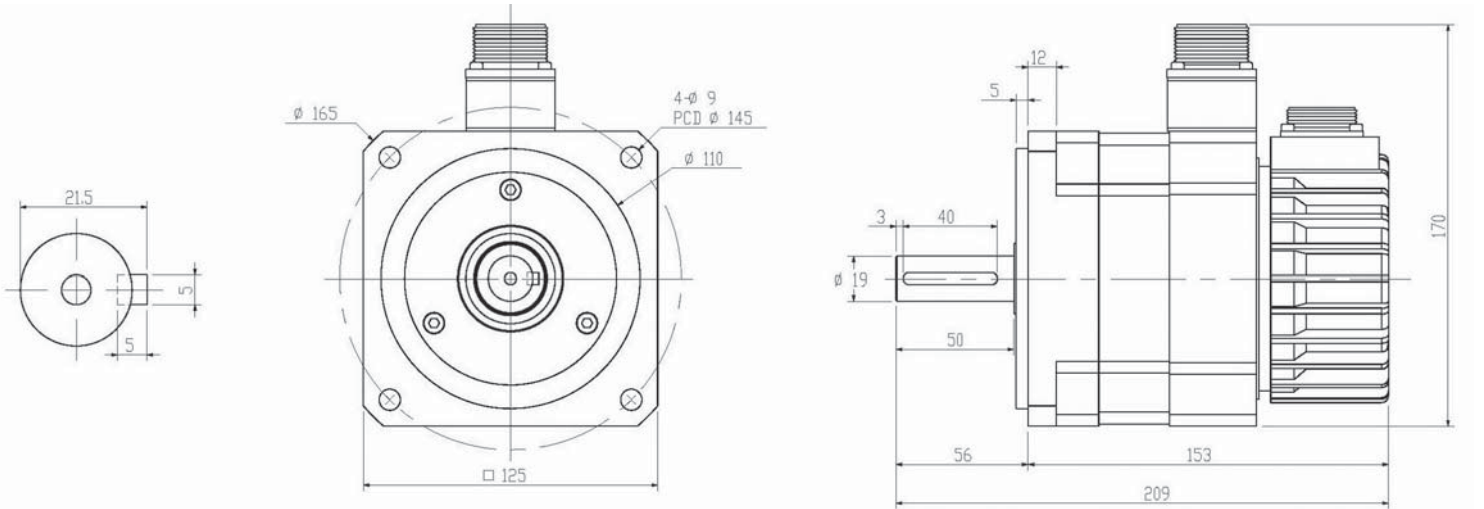
### JESM85C



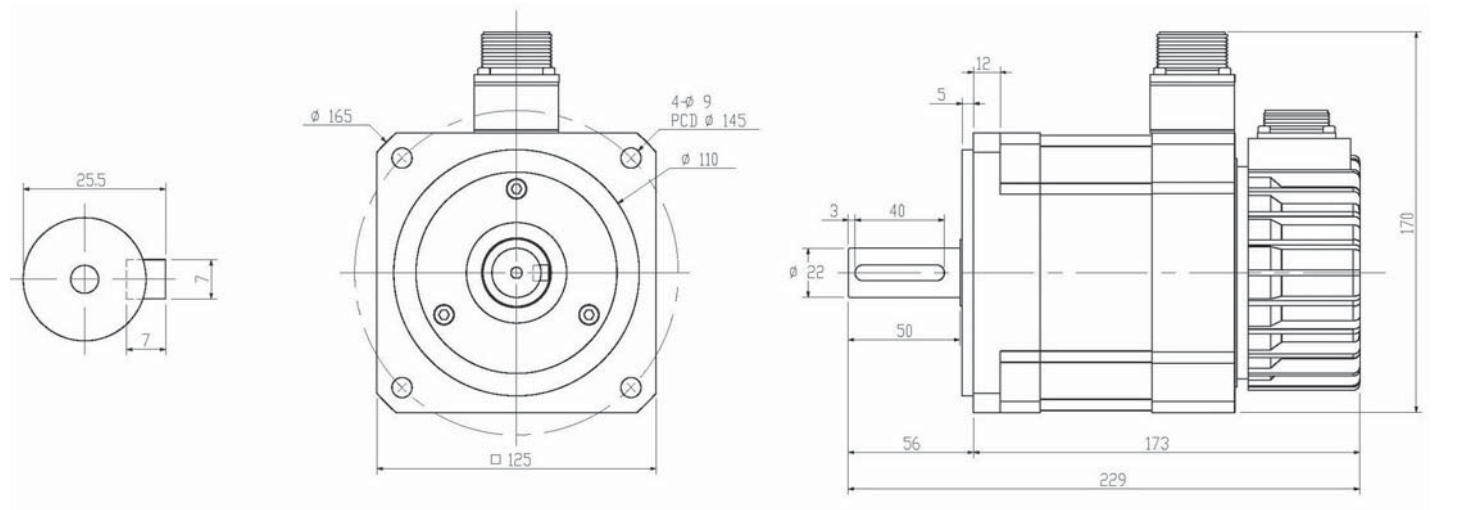
### JESM85D



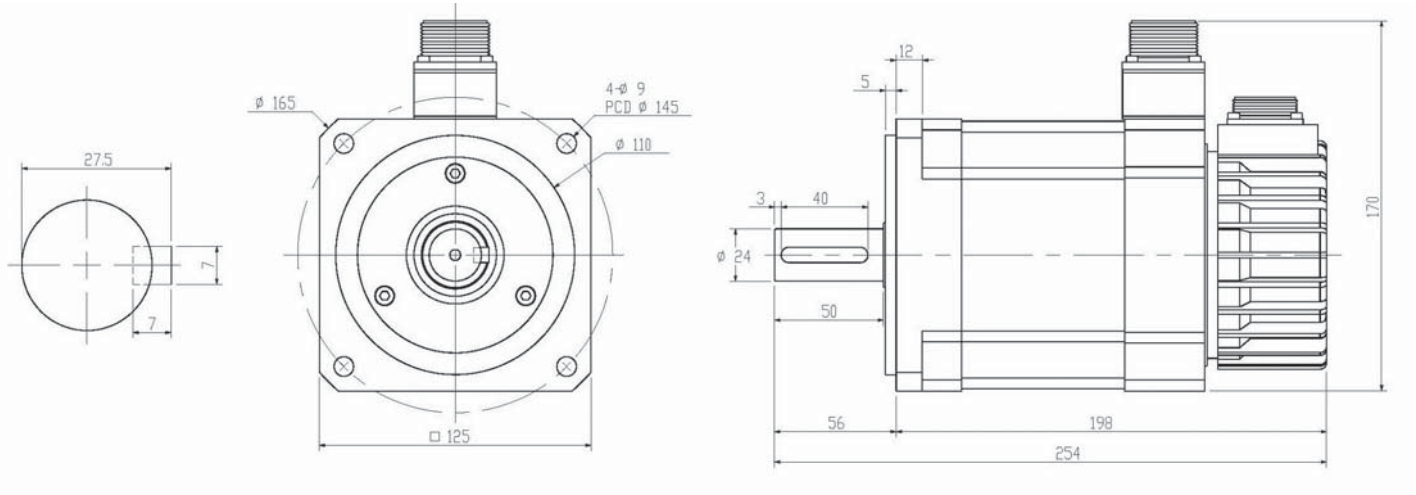
### JESM125A



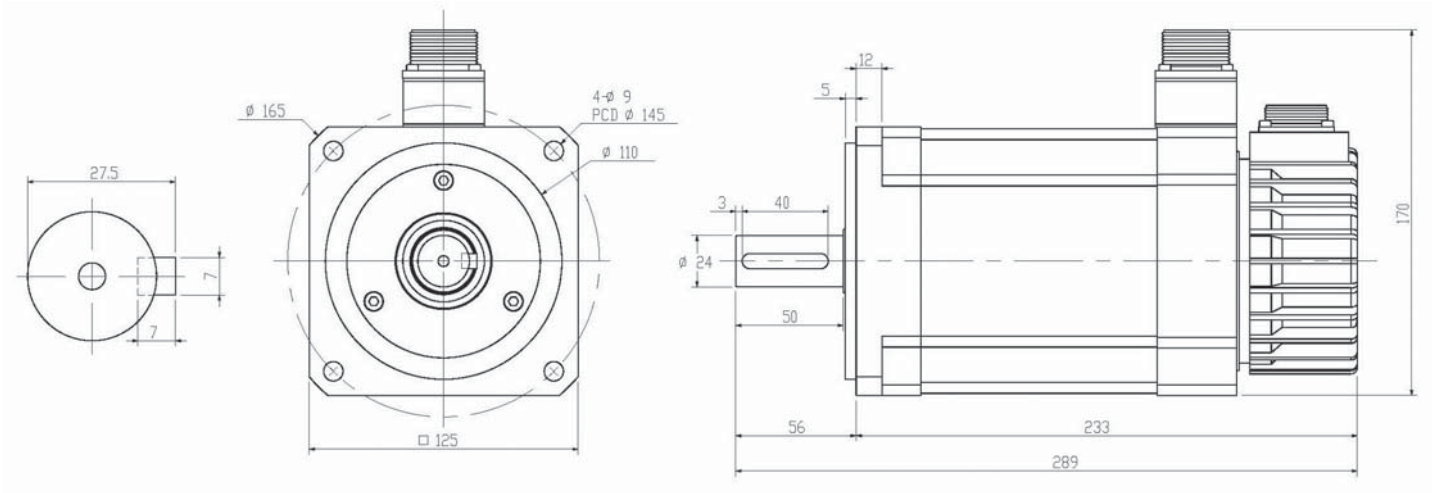
### JESM125B



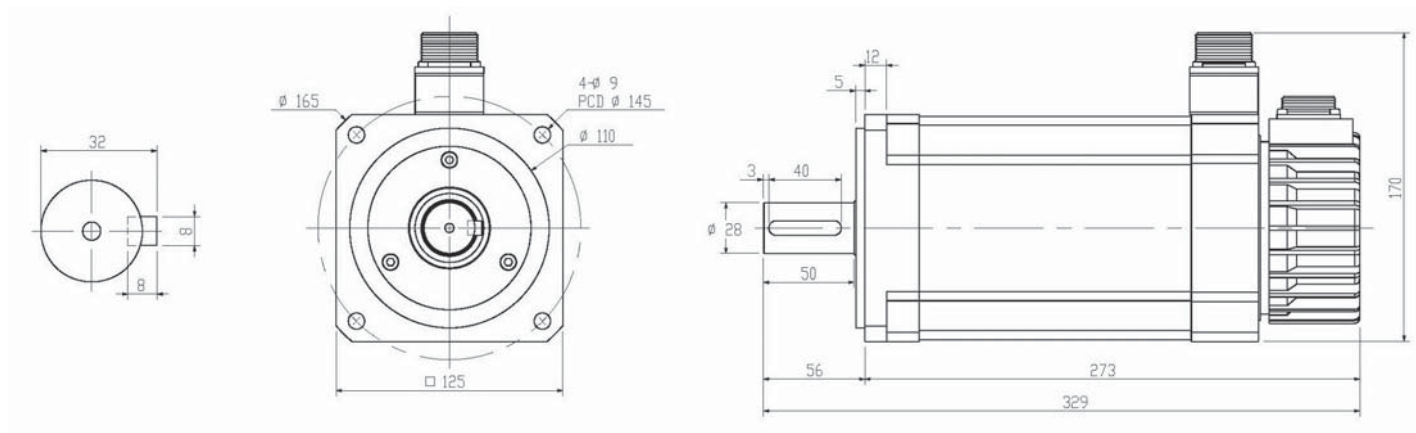
### JESM125C



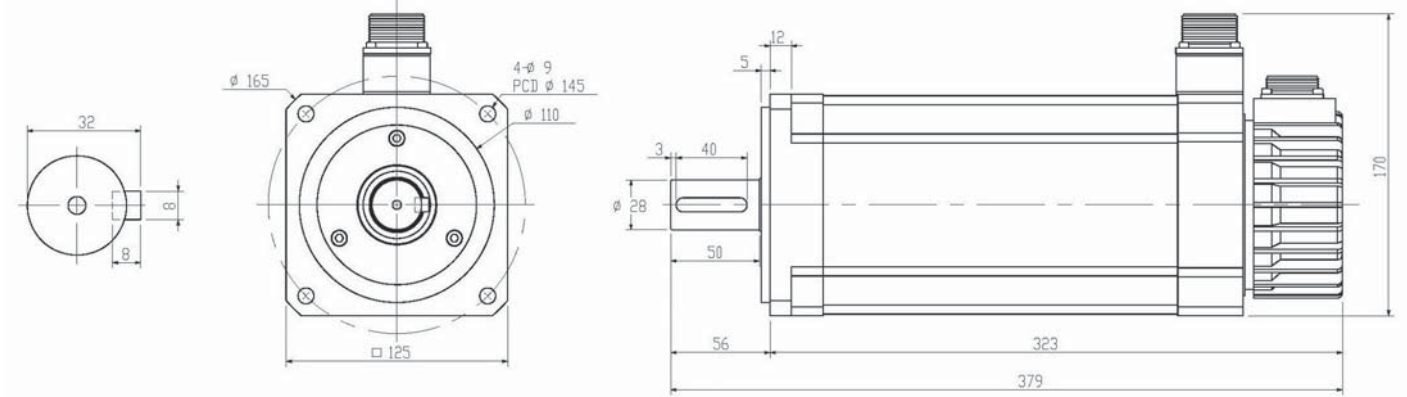
### JESM125D



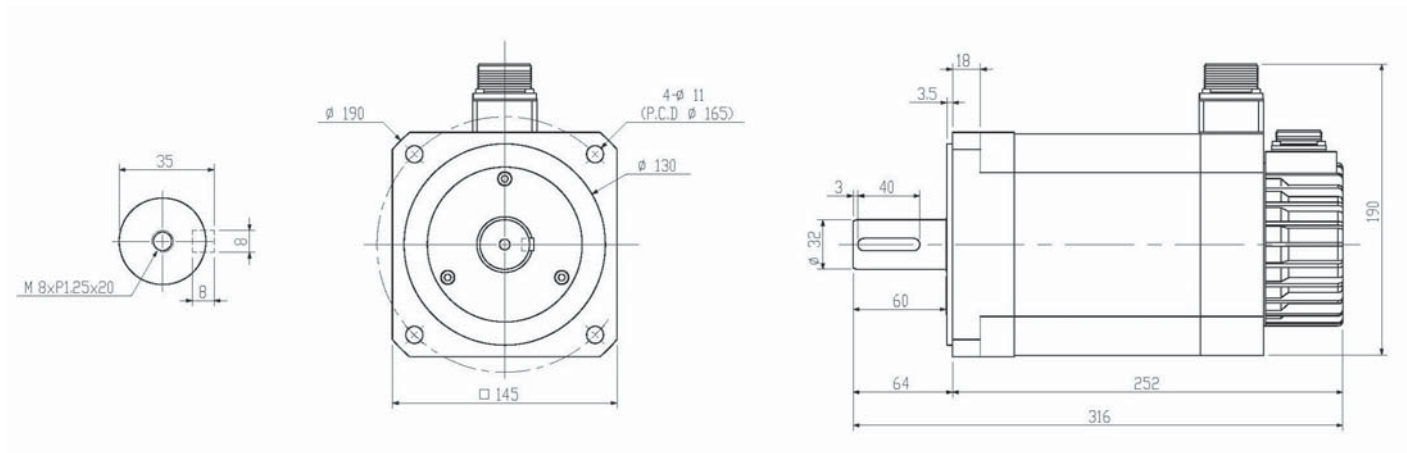
### JESM125E



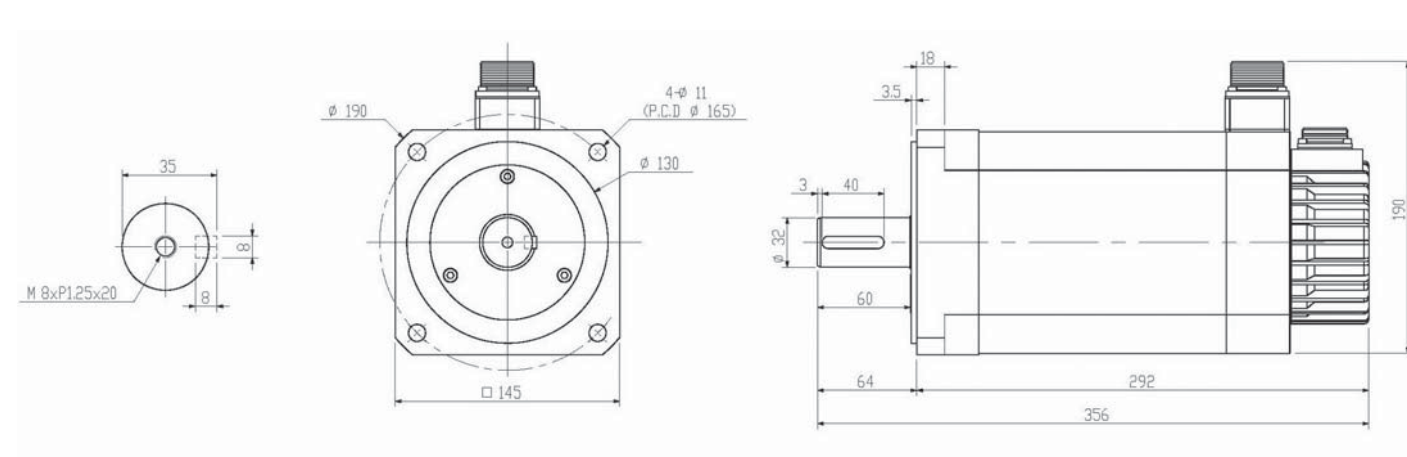
### JESM125F



### JESM145A

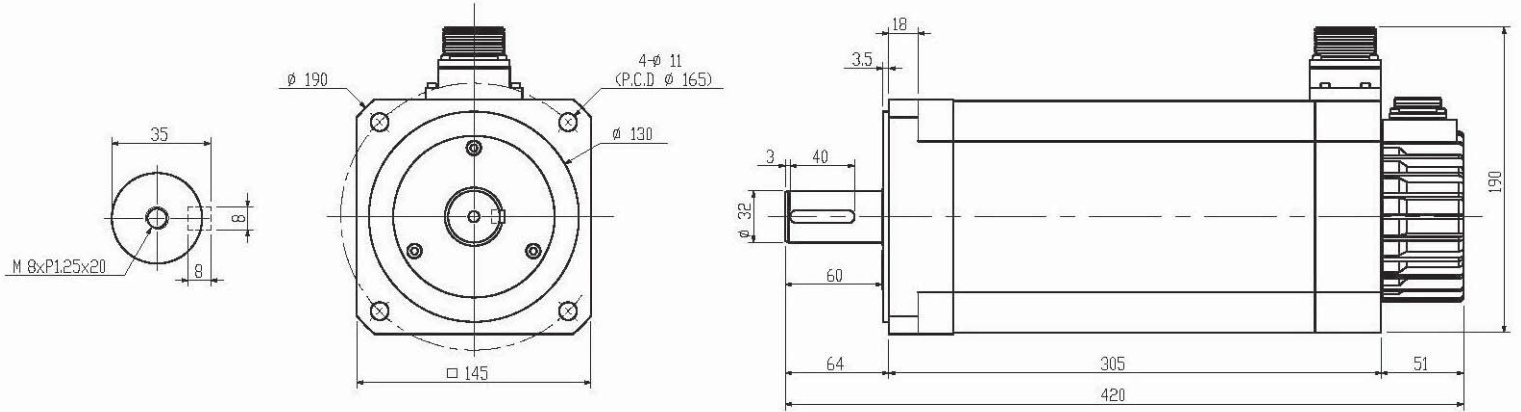


### JESM145B

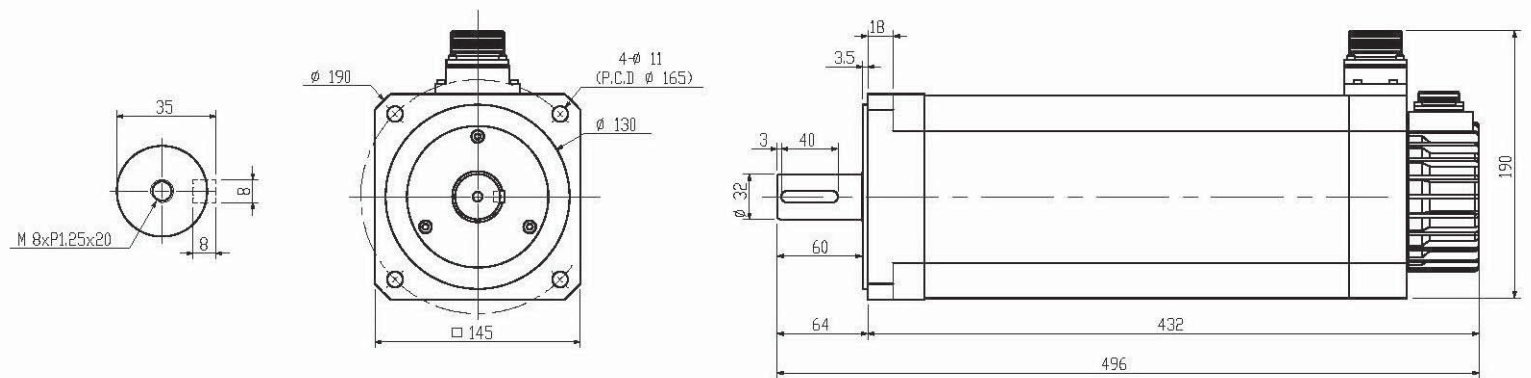




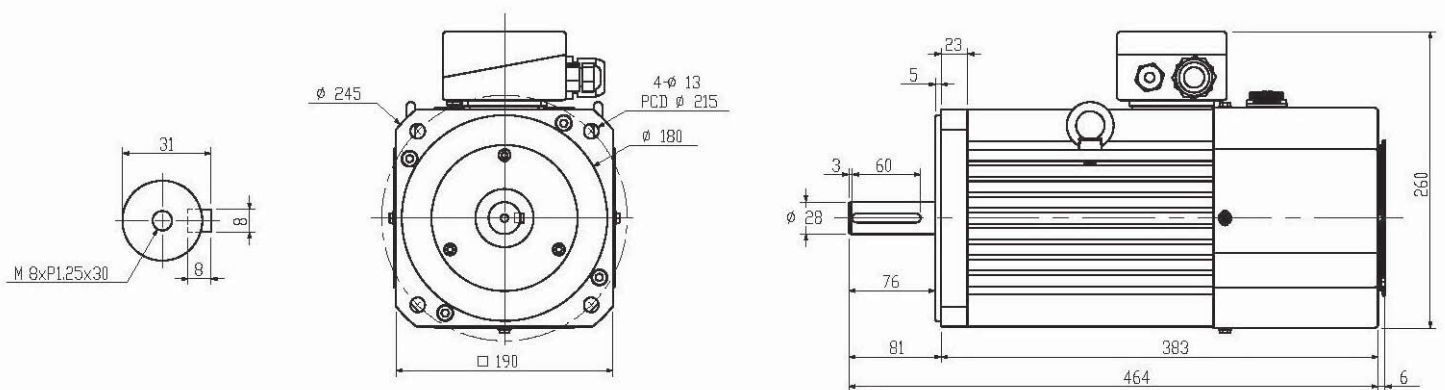
### JESM145C



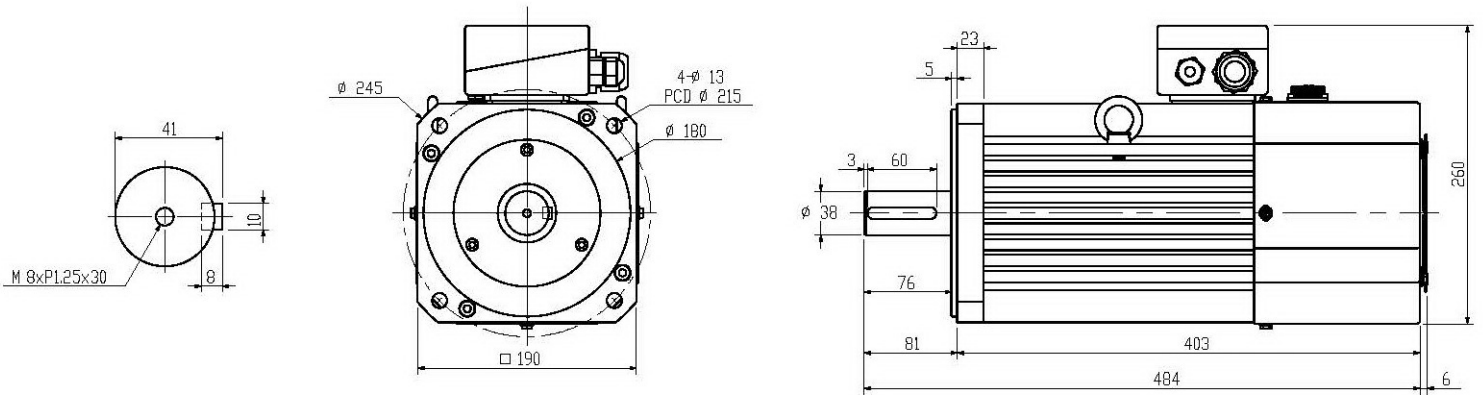
### JESM145D



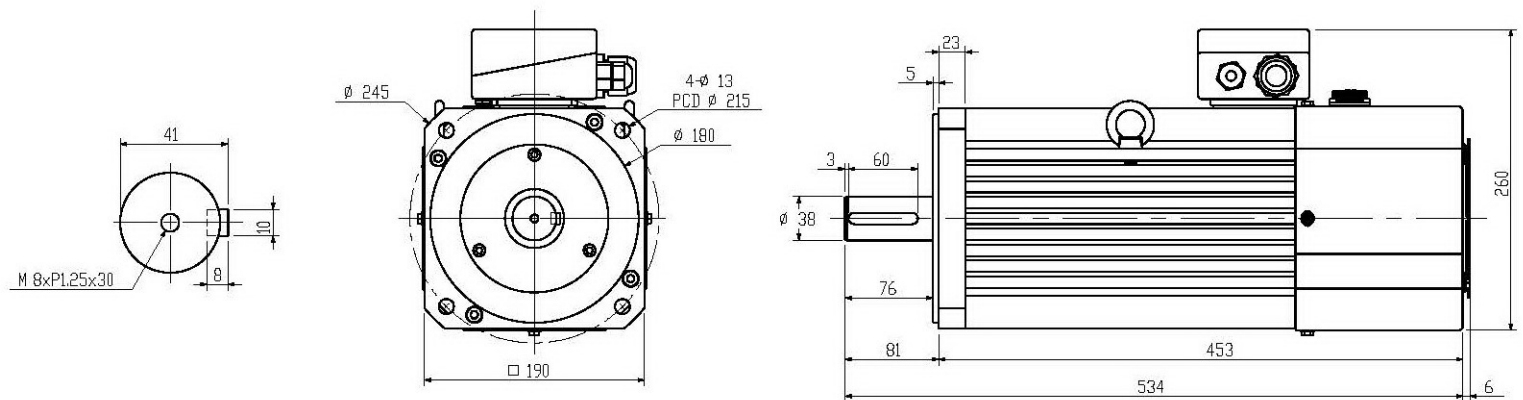
### JESM190A



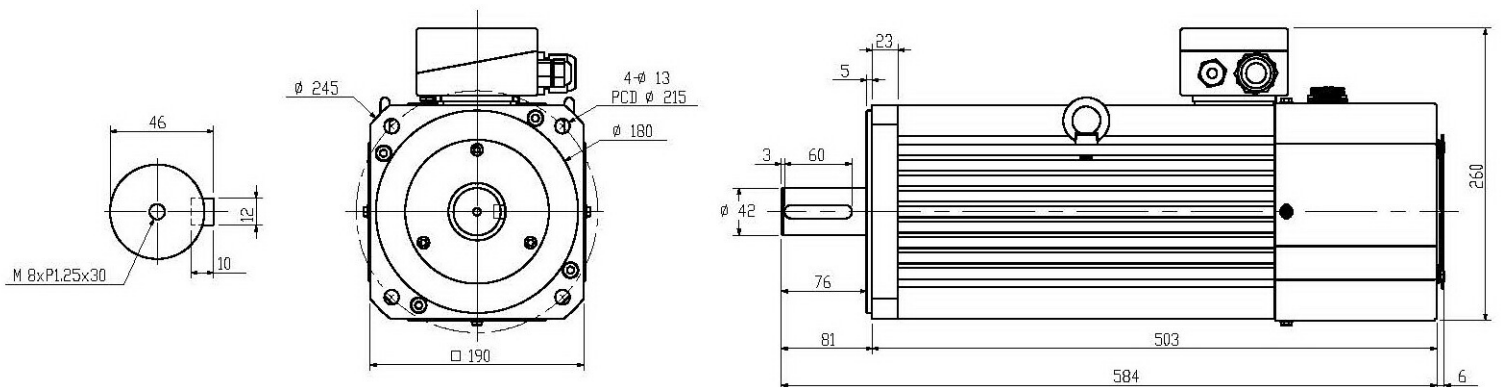
### JESM190B



### JESM190C



### JESM190D



### JESM190E

